

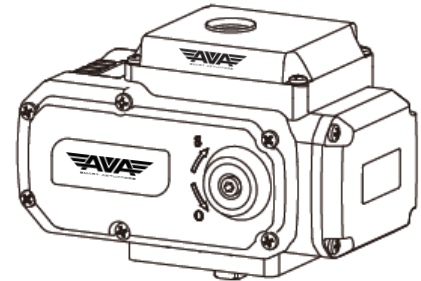
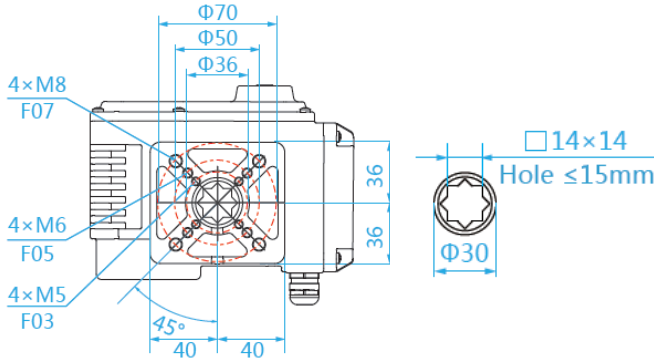
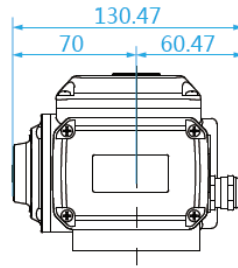
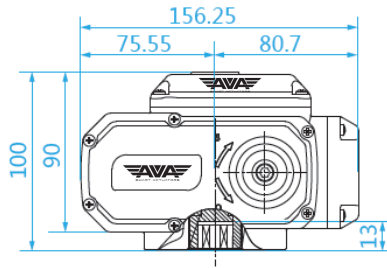
AVA-B50 BASIC ON-OFF 50Nm



Model:	AVA-B50 50Nm BASIC ON-OFF ELECTRIC ACTUATOR			
	AC 1ph 50/60Hz			DC
Rated Voltage	AC230V	AC110V	AC24V	DC24V
Voltage Range	AC 190-250V	AC90-130V	AC22-28V	24V ±10%
Consumption	55W run, 0W hold	55W run, 0W hold	50W run, 0W hold	36W run, 1.5W hold
Peak current	0.3A for 5ms	0.6A for 5ms	2.5A for 5ms	2.5A for 5ms
Fuse	2A	5A	10A	4A
Maximum Break Torque Nm	50			50
Run & Reseat Torque Nm	45			45
Manual operation	Yes, by hexagonal wrench (supplied in clip) when no power is being applied			
Run time	≈ 20 sec			≈ 20 secs
STANDARD FEATURES:				
Operating frequency	AC not continuous, 75% duty cycle but recommend allowing ≥1 min between cycles. DC is continuous.			
Position confirmation	Mechanically driven dome style visual 2 colour indicator			
Mounting restriction	None, can be mounted at any angle. Leave room for space to operate manually, and for electrical connection			
End Position indication	Micro-switches operated by adjustable internal cams , set slightly ahead of the final motor stop position.			
ISO:5211	F03, F05 & F07			
Working Angle	Factory set at 90° ±2°, maximum angle of rotation 110° ±2°			
Female drive	14mm octagon x 15mm deep			
Ingress protection	IP67, recommend cover provided if exposed to direct rain or sun			
Max media temp	≤ 80C			
Ambient temp	-20 to +80C			
Non-operating temp	≤ -40C to ≥80C			
Ambient humidity	5-95% RH non-condensing			
Explosion proof	No, prohibited. Do not use in hazardous areas			
Housing	Aluminium			
Weight	2.5kg			

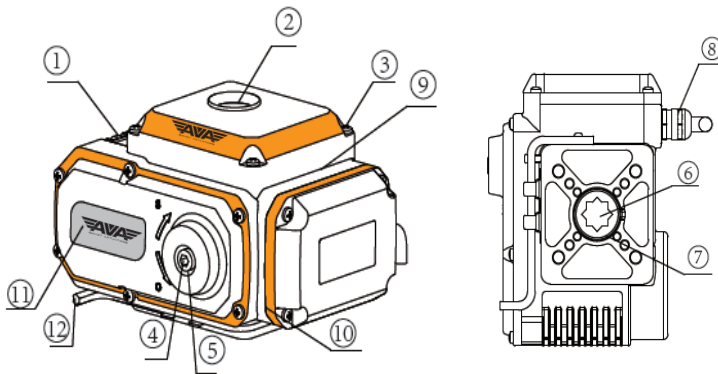
Dimensions: (mm)

AVA-B50 50Nm BASIC ON-OFF ELECTRIC ACTUATOR



Materials:

AVA-B50 50Nm BASIC ON-OFF ELECTRIC ACTUATOR



No	PART	MATERIAL
1	Housing	Aluminium
2	Indicator	Tempered glass
3	Cover screws	304SS
4	Override drive	304SS
5	Seal	NBR
6	Drive output	304SS
7	Seal	NBR
8	Cable gland	NP Brass
9	Cover seal	NBR
10	Wiring cover	Tool steel
11	ID Plate	PVC
12	Hexagon key	Tool steel

Part Numbers:

AVA-B50 50Nm BASIC ON-OFF ELECTRIC ACTUATOR



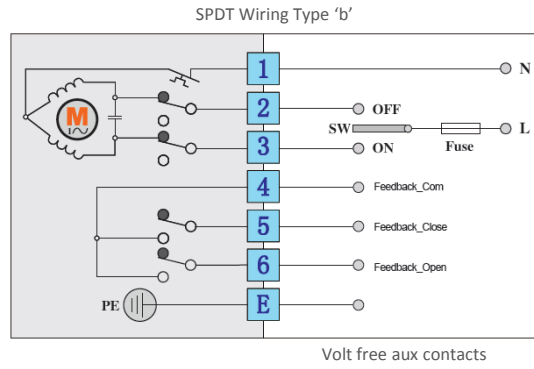
Model	Voltage	Housing	Heater	Control of on-off function
AVA-B50-	1 AC 230V	A Aluminium	O None	b SPDT. Switchable +ve/ live Volt free end of travel confirmation
	2 AC 110V			H 5W/24kΩ
	3 AC 24V			d SPDT. Switchable +ve/ live 10kΩ Potentiometer feedback
	4 DC 24V			f SPST. Make or break contact. Volt free position confirmation (DC only)

NOTE: UK STANDARD STOCK IS WITH WIRING 'B', ANY OTHERS ARE FACTORY OPTIONS. DETAILS AVAILABLE ON REQUEST.

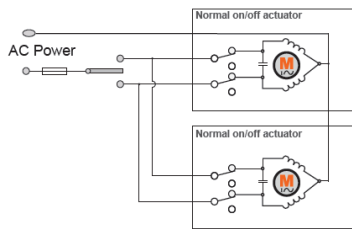


Success results from our continual pursuit of perfection, details therefore subject to change in the interests of product development and improvement.

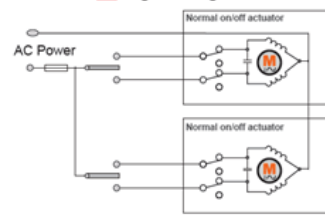
www.avactuators.co.uk



✘ Error wiring

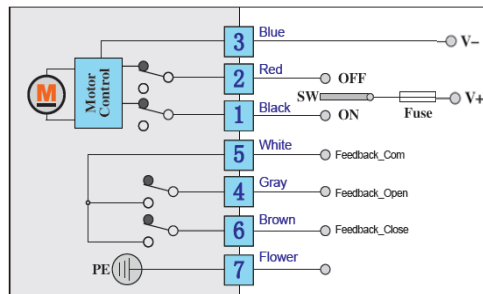


✔ Right wiring

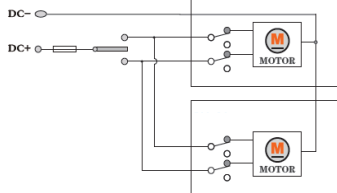


For actuators in parallel.

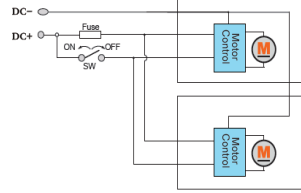
SPDT Wiring Type 'b'



✔ Right wiring



✔ Right wiring



For actuators in parallel.